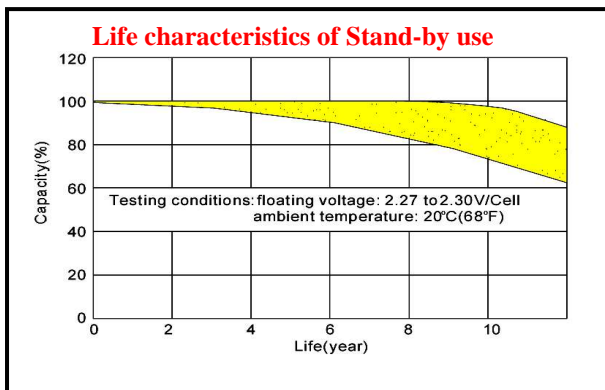
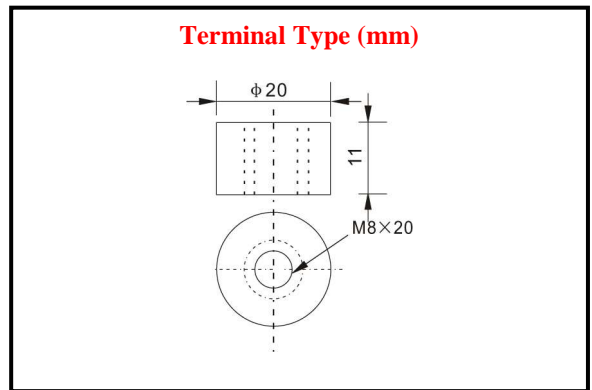
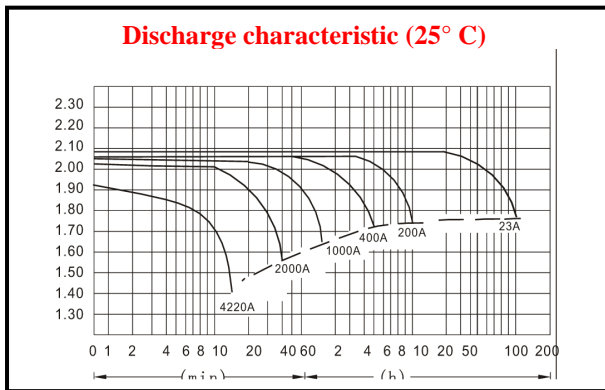
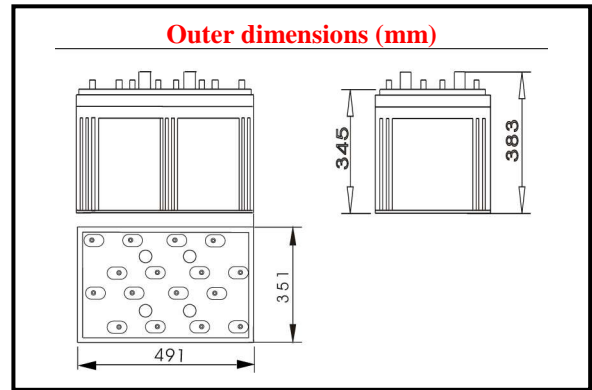


BIGBAT



LONG LIFE 2V.2000Ah.



Characteristics

Capacity 25° C (77° F)	10 hour rate (200 A) 5 hour rate (320 A) 1 hour rate (1100 A)	2000 AH 1600 AH 1100 AH
	1.5 hour discharge to 1.75V	800 A
Internal Resistance	Full charged battery at 25° C (77° F)	1.5 m Ω
Capacity effected by temperature (20 hour rate)	40° C (104° F) 25° C (77° F) 0° C (32° F) -15° C (5° F)	102 % 100 % 85 % 65 %
Self-discharge at 25° C (77° F)	Capacity after 3 month storage Capacity after 6 month storage Capacity after 12 month storage	91 % 82 % 64 %
Charge (constant voltage)	Cycle	Initial charging current less than 500 A Voltage 2.35 – 2.40V.
	Float	Voltage 2.25 – 2.30V.

