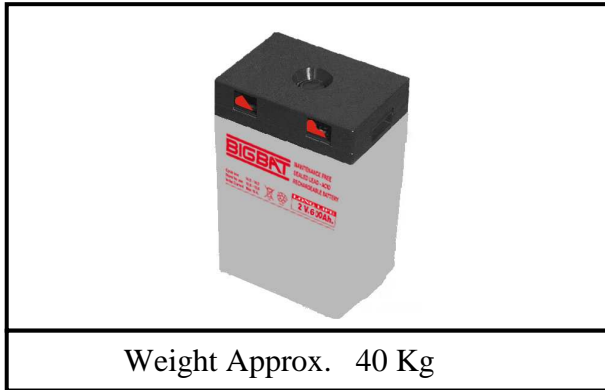
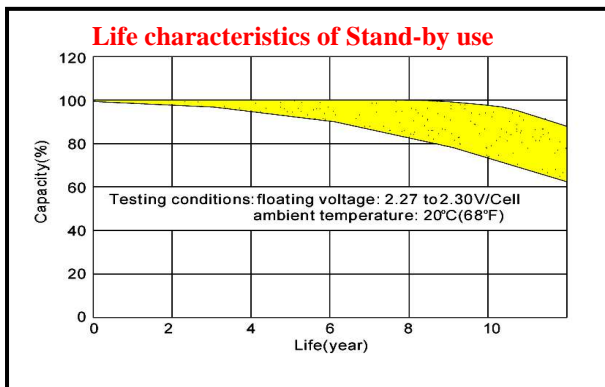
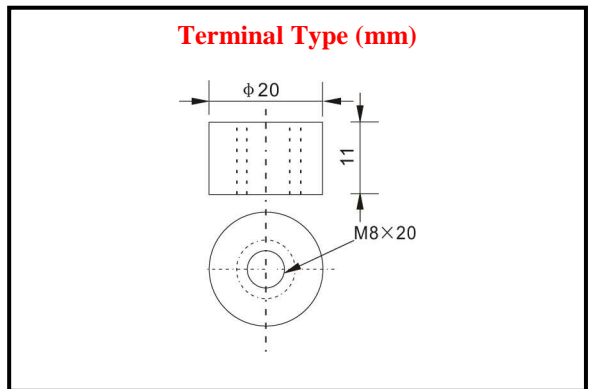
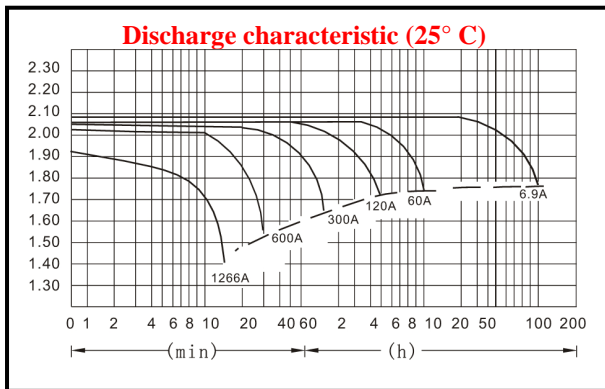
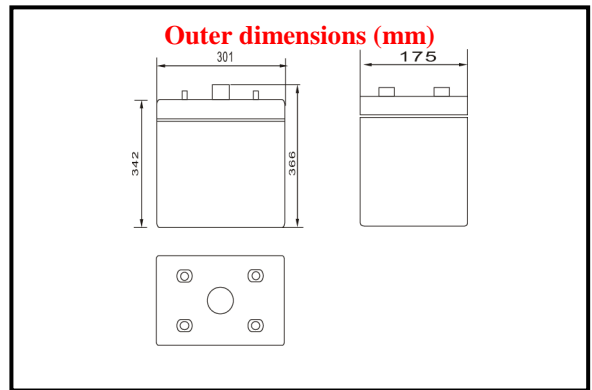


BIGBAT



LONG LIFE 2V. 600Ah.



Characteristics

Capacity 25° C (77° F)	10 hour rate (60 A) 5 hour rate (96 A) 1 hour rate (330 A)	600 AH 480 AH 330 AH
	1.5 hour discharge to 1.75V	240 A
Internal Resistance	Full charged battery at 25° C (77° F)	1.5 m Ω
Capacity effected by temperature (20 hour rate)	40° C (104° F)	102 %
	25° C (77° F)	100 %
	0° C (32° F)	85 %
	-15° C (5° F)	65 %
Self-discharge at 25° C (77° F)	Capacity after 3 month storage	91 %
	Capacity after 6 month storage	82 %
	Capacity after 12 month storage	64 %
Charge (constant voltage)	Cycle	Initial charging current less than 150 A Voltage 2.35 – 2.40V.
	Float	Voltage 2.25 – 2.30V.

