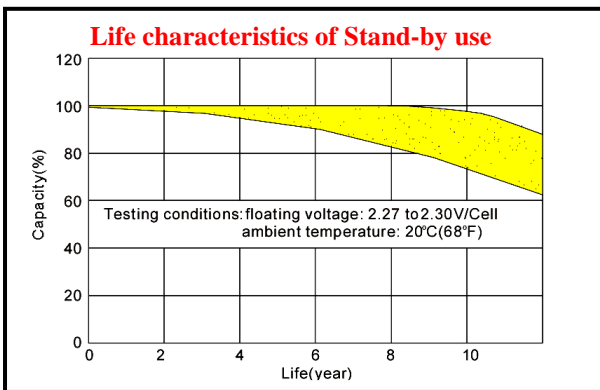
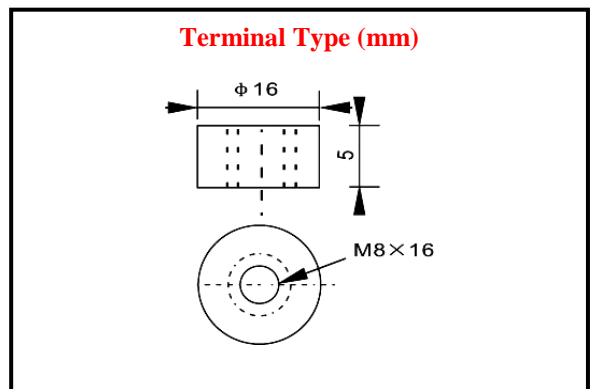
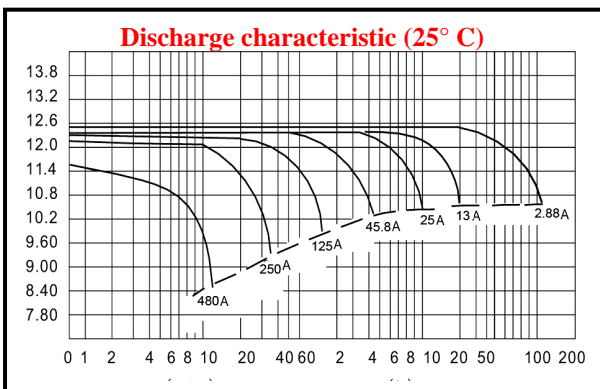
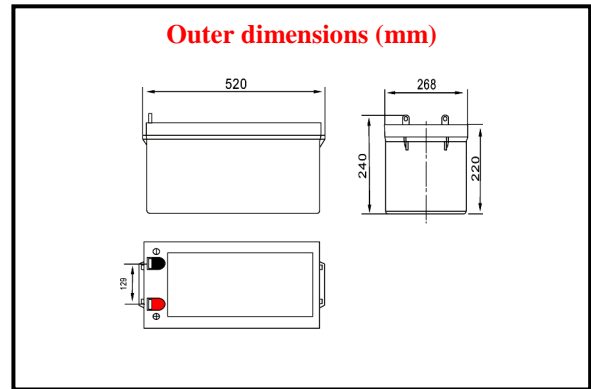


# BIGBAT



Weight Approx. 76.00 Kg

## LONG LIFE 12 V. 250 Ah.



**Characteristics**

Capacity 25° C (77° F)	10 hour rate (25.0 A) 5 hour rate (40.0 A) 1 hour rate (138 A)	250 AH 200 AH 138 AH
	1.5 hour discharge to 10.5V	110 A
Internal Resistance	Full charged battery at 25° C (77° F)	3.5 m Ω
Capacity effected by temperature (20 hour rate)	40° C (104° F)	102 %
	25° C (77° F)	100 %
	0° C (32° F)	85 %
	-15° C (5° F)	65 %
Self-discharge at 25° C (77° F)	Capacity after 3 month storage	91 %
	Capacity after 6 month storage	82 %
	Capacity after 12 month storage	64 %
Charge (constant voltage)	Cycle	Initial charging current less than 65 A Voltage 14.50 – 14.90V.
	Float	Voltage 13.60 – 13.80V.

