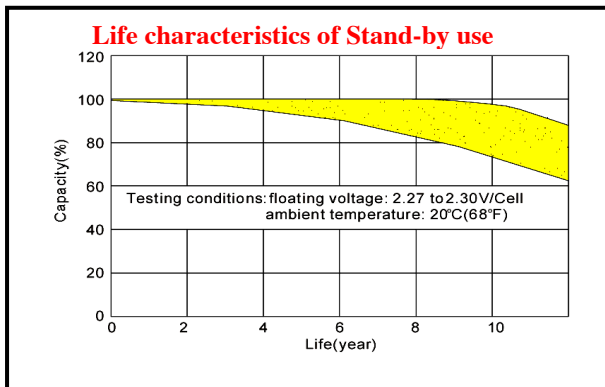
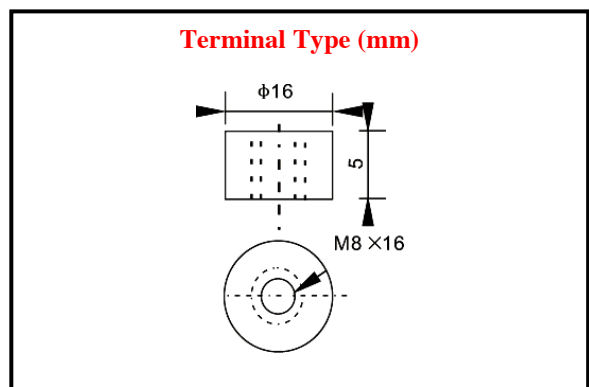
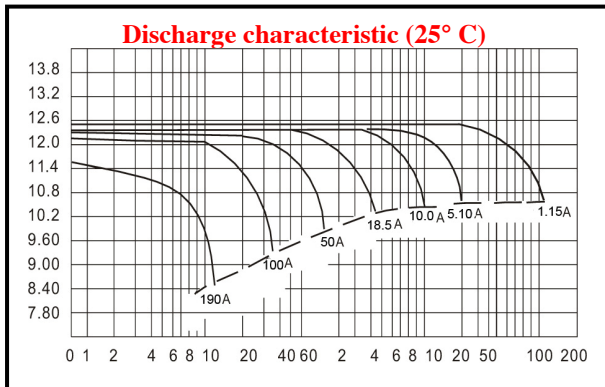
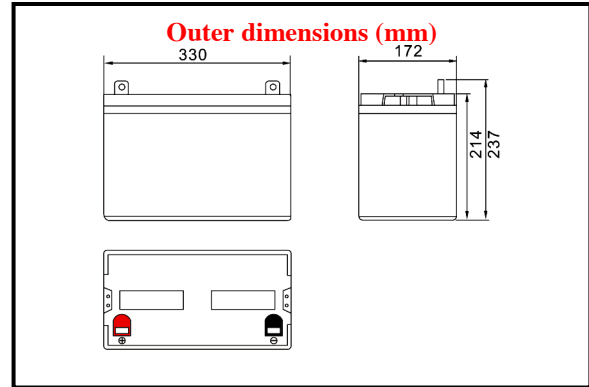


# BIGBAT



# LONG LIFE 12 V. 100 Ah.



**Characteristics**

Capacity 25° C (77° F)	10 hour rate ( 10.00 A) 5 hour rate ( 16.0 A) 1 hour rate (55.00 A)	100.0 AH 80.0 AH 55.0 AH
	1.5 hour discharge to 10.5V	45 A
Internal Resistance	Full charged battery at 25° C (77° F)	5.5 m Ω
Capacity effected by temperature (20 hour rate)	40° C (104° F) 25° C (77° F) 0° C (32° F) -15° C (5° F)	102 % 100 % 85 % 65 %
Self-discharge at 25° C (77° F)	Capacity after 3 month storage Capacity after 6 month storage Capacity after 12 month storage	91 % 82 % 64 %
Charge (constant voltage)	Cycle	Initial charging currentless than 26 A Voltage 14.50 – 14.90V.
	Float	Voltage 13.60 – 13.80V.

