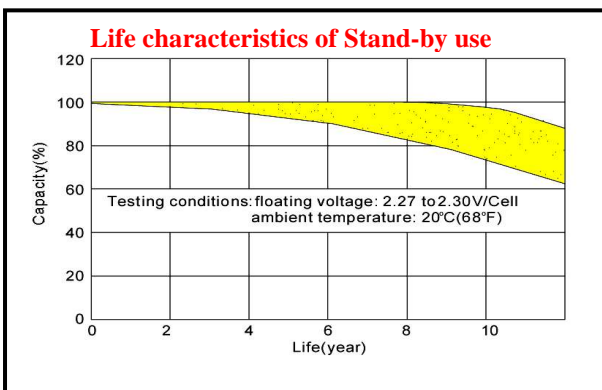
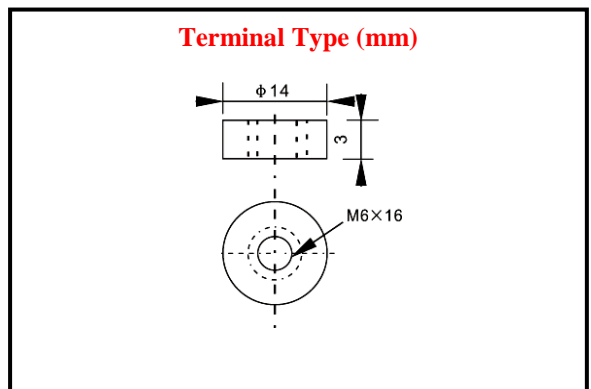
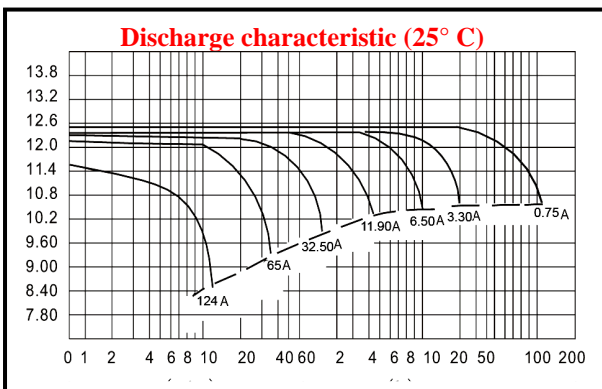
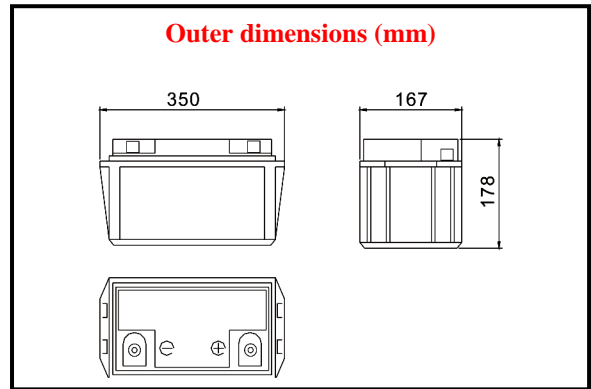


BIGBAT

LONG LIFE 12 V. 65 Ah.



Characteristics

Capacity 25° C (77° F)	10 hour rate (6.5 A)	65.0 AH
	5 hour rate (10.40 A)	52.0 AH
	1 hour rate (35.80 A)	35.8 AH
	1.5 hour discharge to 10.5V	28 A
Internal Resistance	Full charged battery at 25° C (77° F)	6.5 m Ω
Capacity effected by temperature (20 hour rate)	40° C (104° F)	102 %
	25° C (77° F)	100 %
	0° C (32° F)	85 %
	-15° C (5° F)	65 %
Self-discharge at 25° C (77° F)	Capacity after 3 month storage	91 %
	Capacity after 6 month storage	82 %
	Capacity after 12 month storage	64 %
Charge (constant voltage)	Cycle	Initial charging current less than 17 A Voltage 14.50 – 14.90V.
	Float	Voltage 13.60 – 13.80V.

