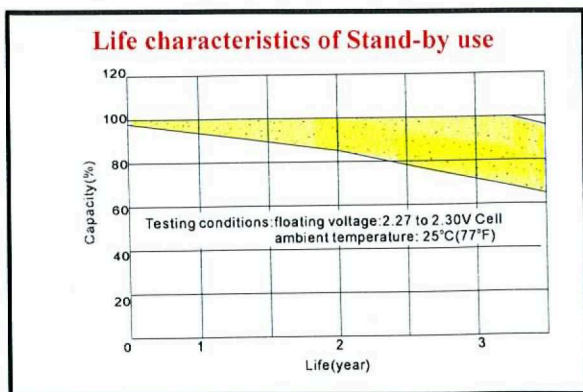
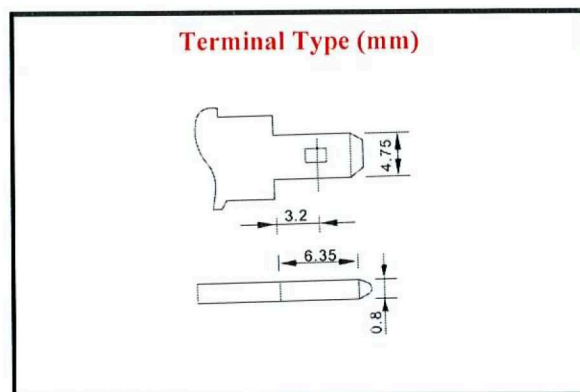
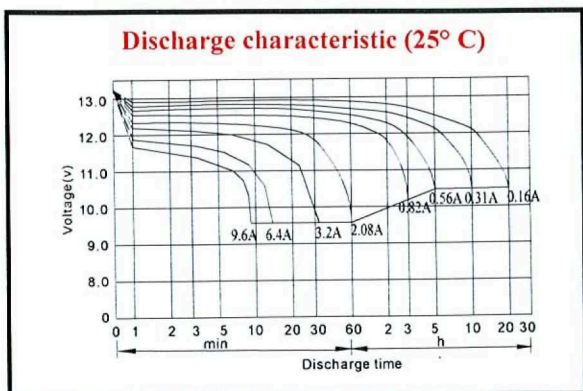
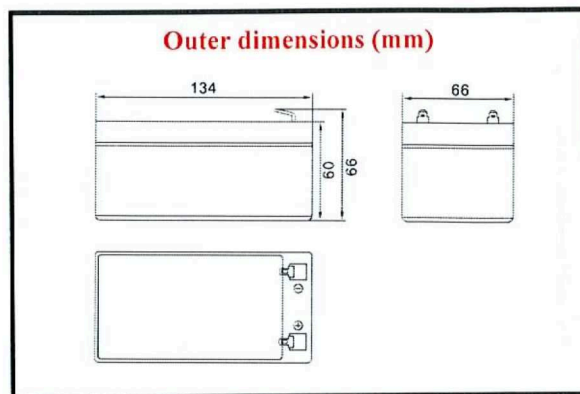
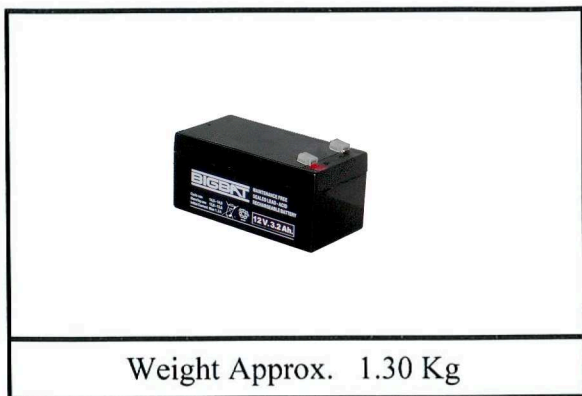


# BIGBAT

# 12V. 3.2 Ah.



**Characteristics**

Capacity 25° C (77° F)	20 hour rate (0.16 A)	3.20 AH
	10 hour rate (0.31 A)	3.10 AH
	5 hour rate (0.56 A)	2.80 AH
	1 hour rate (2.08 A)	2.08 AH
	1.5 hour discharge to 10.5V	1.28 A
Internal Resistance	Full charged battery at 25° C (77° F)	50 m Ω
Capacity effected by temperature (20 hour rate)	40° C (104° F)	102 %
	25° C (77° F)	100 %
	0° C (32° F)	85 %
	-15° C (5° F)	65 %
Self-discharge at 25° C (77° F)	Capacity after 3 month storage	91 %
	Capacity after 6 month storage	82 %
	Capacity after 12 month storage	64 %
Charge (constant voltage)	Cycle	Initial charging current less than 1.0 A Voltage 14.50 – 14.90V.
	Float	Voltage 13.60 – 13.80V.

