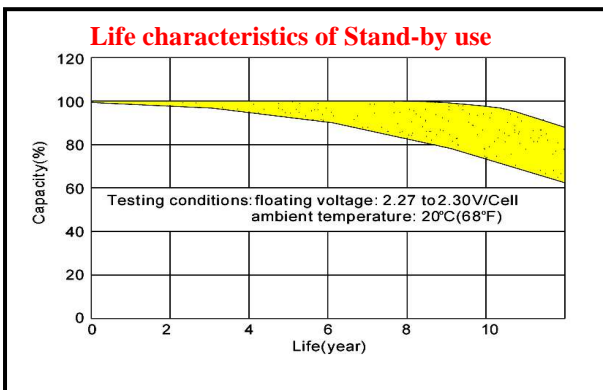
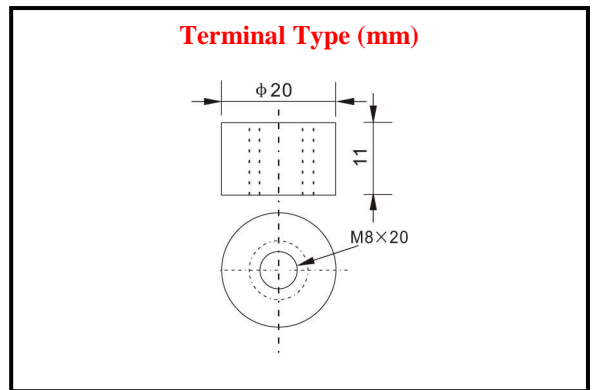
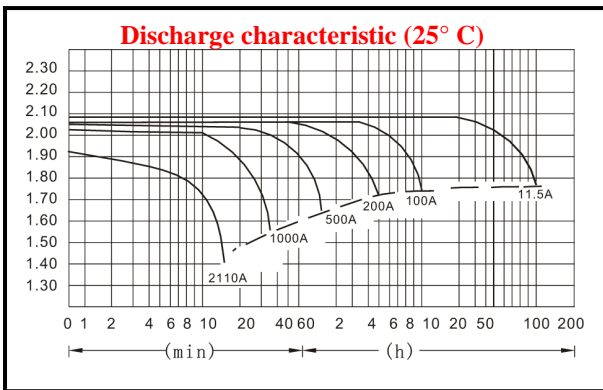
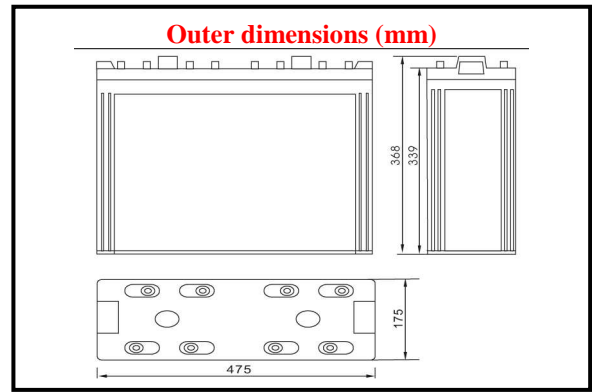


# BIGBAT



# LONG LIFE 2V.1000Ah.



**Characteristics**

Capacity 25° C (77° F)	10 hour rate ( 100 A ) 5 hour rate ( 160 A ) 1 hour rate ( 550 A )	1000 AH 800 AH 550 AH
	1.5 hour discharge to 1.75V	400 A
Internal Resistance	Full charged battery at 25° C (77° F)	1.5 m Ω
Capacity effected by temperature (20 hour rate)	40° C (104° F) 25° C (77° F) 0° C (32° F) -15° C (5° F)	102 % 100 % 85 % 65 %
Self-discharge at 25° C (77° F)	Capacity after 3 month storage	91 %
	Capacity after 6 month storage	82 %
	Capacity after 12 month storage	64 %
Charge (constant voltage)	Cycle	Initial charging currentless than 250 A Voltage 2.35 – 2.40V.
	Float	Voltage 2.25 – 2.30V.

