

**ELAN s.r.l.** - Via Osimana, 70 - 60021 Camerano (AN) - Italy  
 Tel. +39.071.7304258 - Fax +39.071.7304282  
 Sito Web: [www.elan.an.it](http://www.elan.an.it) - E-mail: [info@elan.an.it](mailto:info@elan.an.it)  
 R.E.A. AN n. 152242 - Cod. Fisc. e Part. IVA IT 01572590428

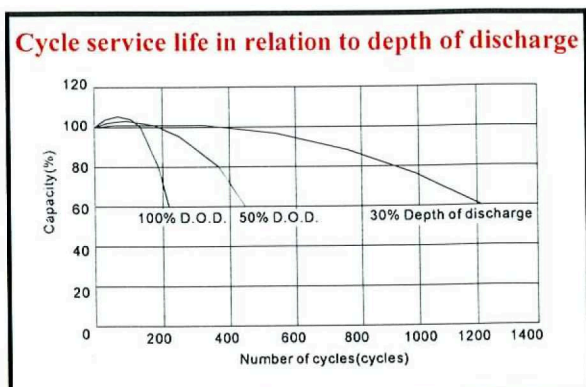
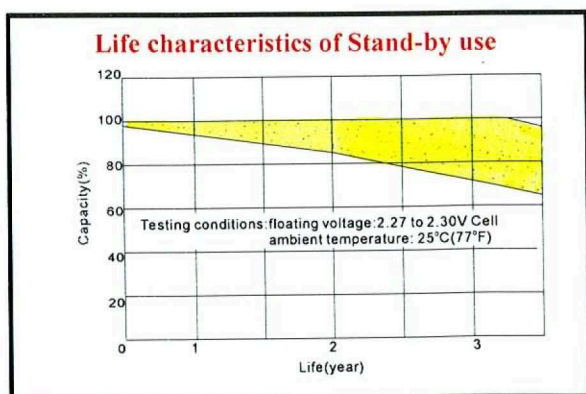
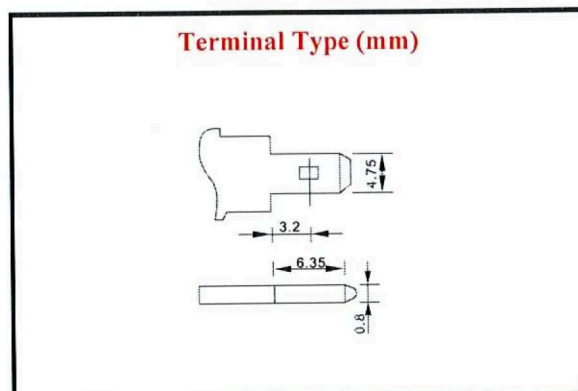
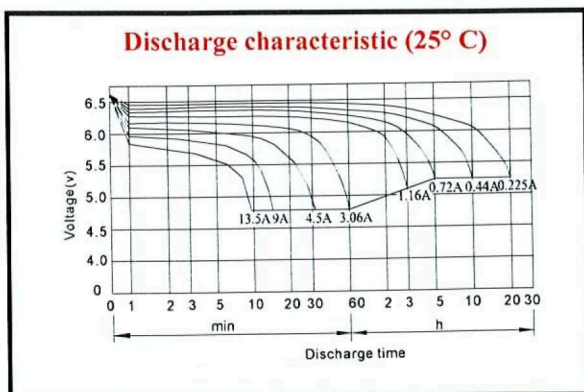
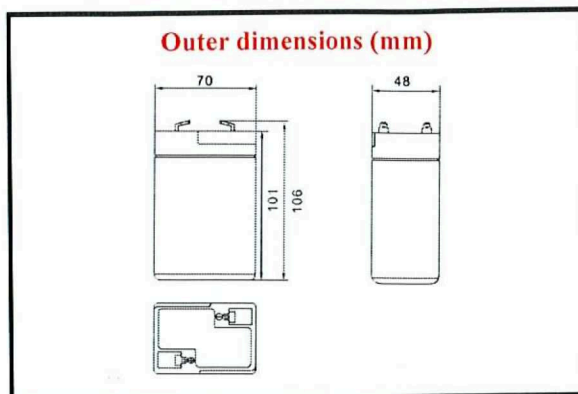


# BIGBAT

## 6V. 4.5 Ah.



Weight Approx. 0.80 Kg



**Characteristics**

Capacity 25° C (77° F)	20 hour rate (0.225 A) 10 hour rate (0.44 A) 5 hour rate (0.72 A) 1 hour rate (3.06 A)	4.50 AH 4.40 AH 3.60 AH 3.06 AH
	1.5 hour discharge to 5.25V	1.80 A
Internal Resistance	Full charged battery at 25° C (77° F)	16 m Ω
Capacity effected by temperature (20 hour rate)	40° C (104° F) 25° C (77° F) 0° C (32° F) -15° C (5° F)	102 % 100 % 85 % 65 %
Self-discharge at 25° C (77° F)	Capacity after 3 month storage Capacity after 6 month storage Capacity after 12 month storage	91 % 82 % 64 %
Charge (constant voltage)	Cycle	Initial charging current less than 1.5 A Voltage 7.30 – 7.50 V.
	Float	Voltage 6.90 – 7.00 V.

Il costruttore si riserva di apportare modifiche al prodotto senza preavviso – The manufacturer reserves the right to modify the product without notice